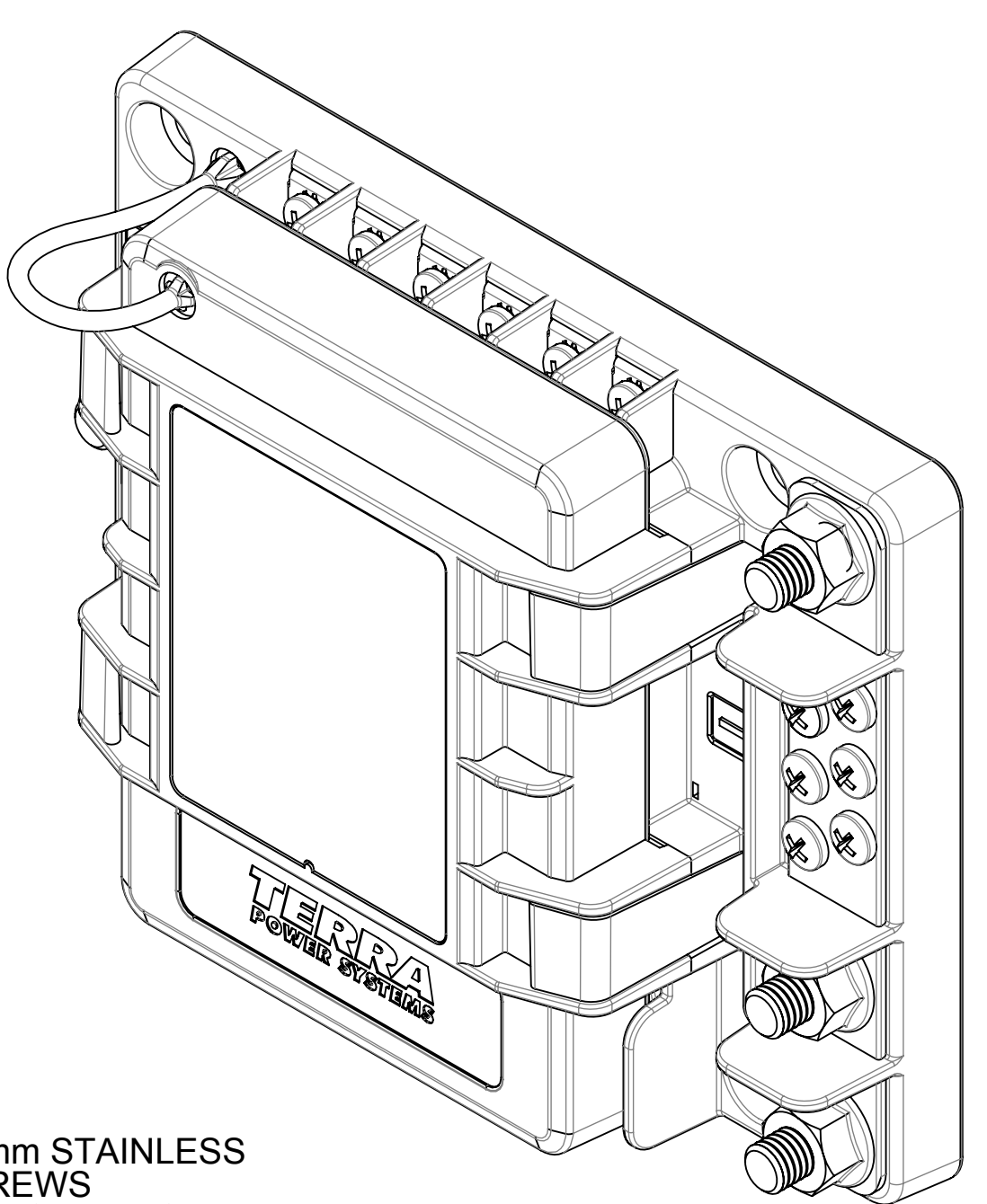
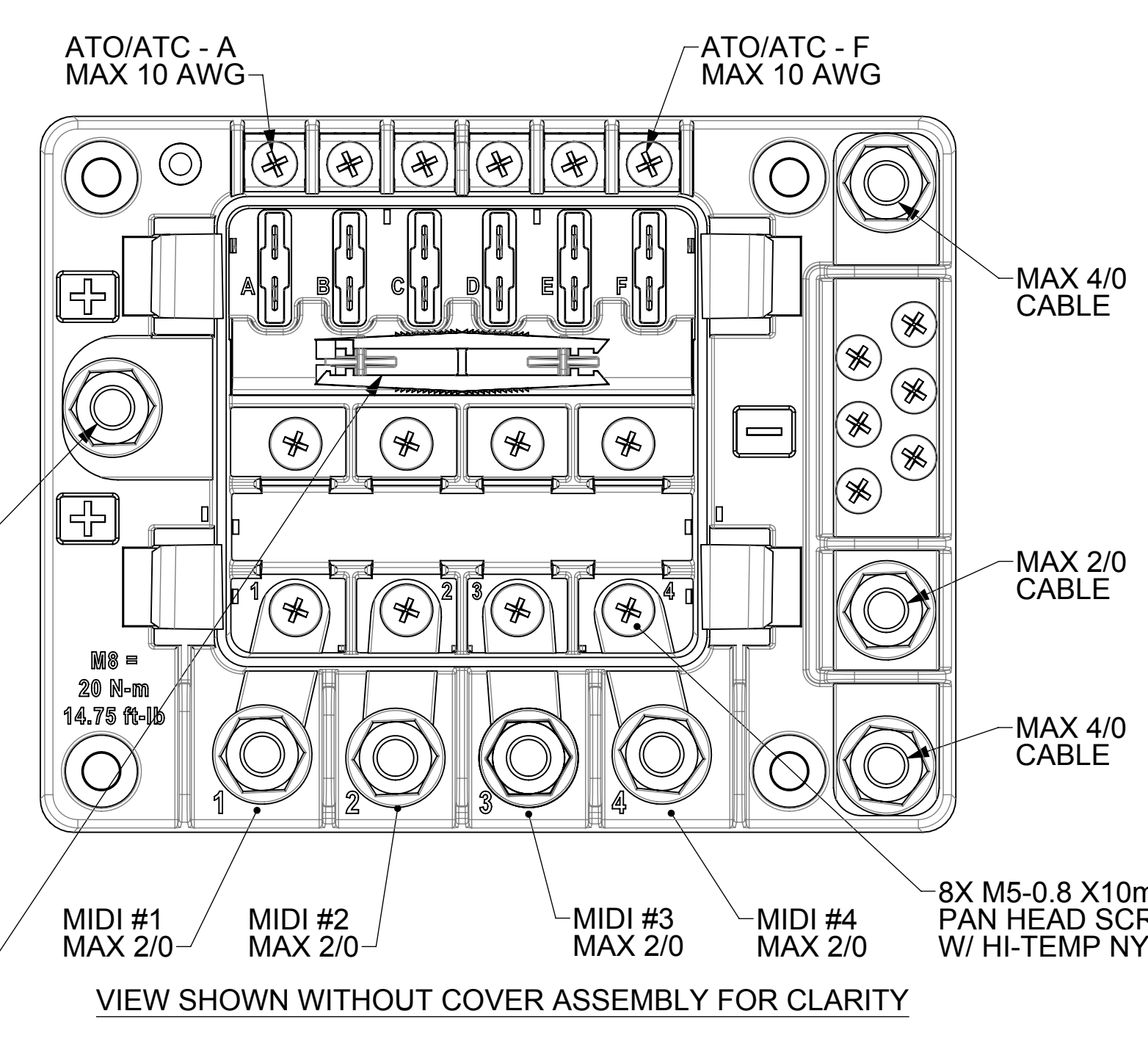
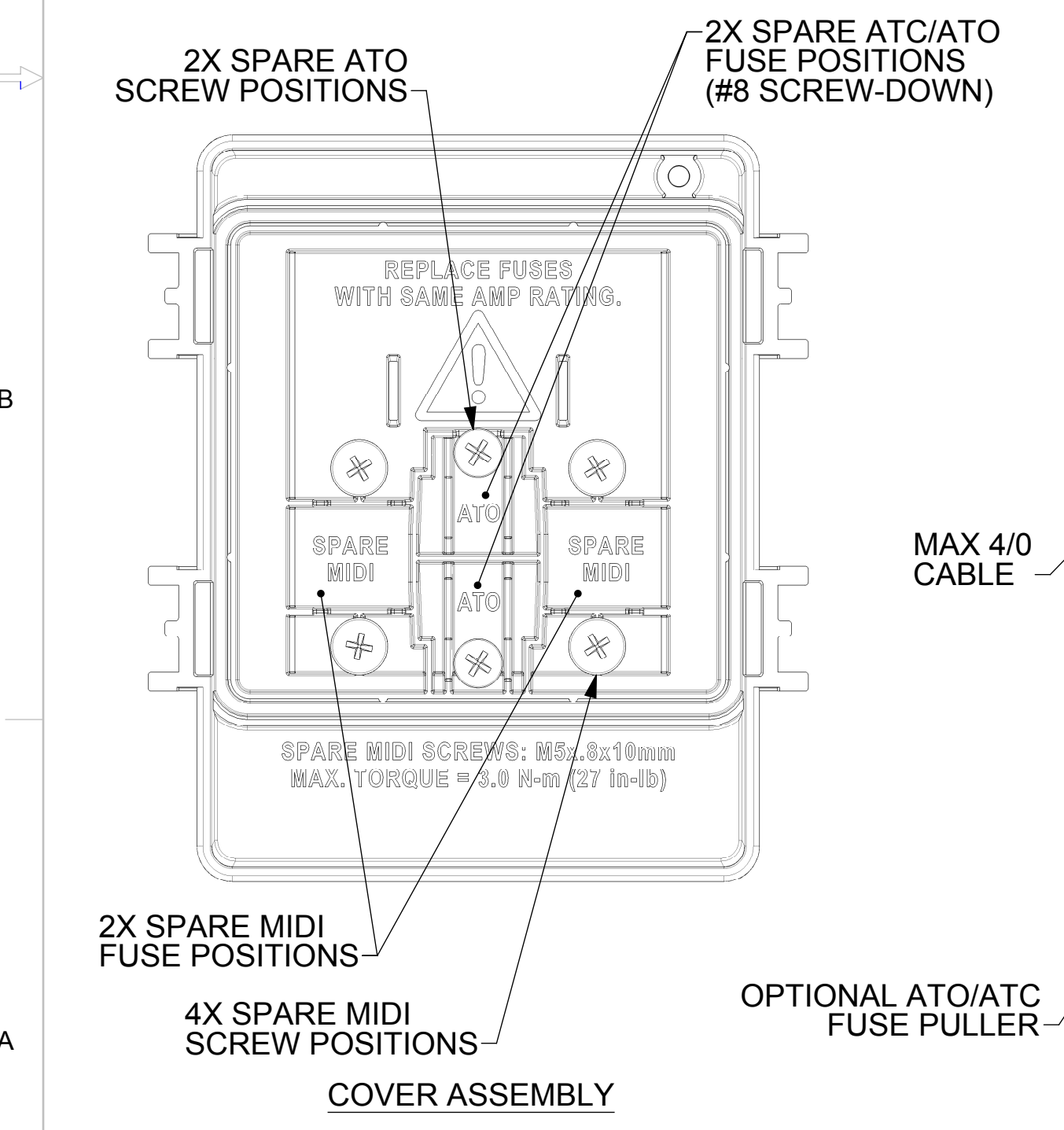
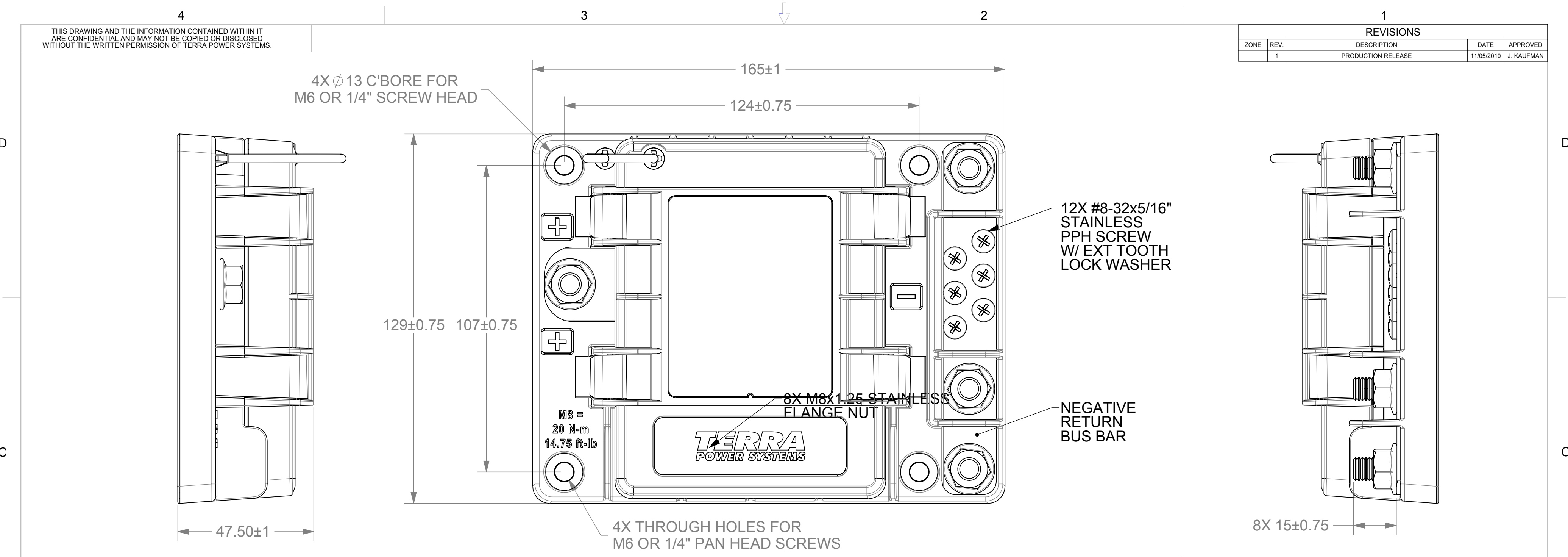


THIS DRAWING AND THE INFORMATION CONTAINED WITHIN IT ARE CONFIDENTIAL AND MAY NOT BE COPIED OR DISCLOSED WITHOUT THE WRITTEN PERMISSION OF TERRA POWER SYSTEMS.

REVISIONS				
ZONE	REV.	DESCRIPTION	DATE	APPROVED
	1	PRODUCTION RELEASE	11/05/2010	J. KAUFMAN



*** CONSULT FACTORY FOR CUSTOM FUSE LOADING VARIATIONS

DIMENSIONS ARE SHOWN IN MILLIMETERS. UNSPECIFIED TOLERANCES ARE:		NAME	DATE
ANGLES	MM	J. KAUFMAN	11/05/2010
±0°30'	.000±.051	CHECKED	-
	.00±.127	-	-
	0±.254	-	-
MATERIAL	-	COMMENTS:	-
FINISH	-	-	-
DO NOT SCALE DRAWING	-	-	-

TERRA POWER SYSTEMS
 425 Sequoia Drive Bellingham, WA 98226
 Phone (360)738-9010 Fax (360)738-0372

PDM LX SERIES
 OUTLINE DRAWING
 PART NUMBER: 880089

SIZE DWG. NO. 880089
 C

SCALE 1:1 WEIGHT: - SHEET 1 OF 1

