



### V7-2B17D8-207



Actual product appearance may vary.

**V7 Series Miniature Basic Switch, Single Pole Double Throw Circuitry, 11 A at 277 Vac, Roller Lever Actuator, 0,44 N [21.6 oz] Maximum Operating Force, Silver Contacts, Quick Connect Termination**

#### V7 Series Features

- World-wide package size acceptance
- Current rating ranges from 0.1 A to 25 A
- Wiping contact action
- Temperature range to 177 °C [350 ° F]
- Long mechanical life
- Elongated mounting holes for easier, more accurate mounting
- UL/CSA recognized, ENEC (European) approval available
- Choice of actuation, termination and operating characteristics

#### Potential Applications

- Appliances
- Vending machines
- Timing devices
- Office equipment
- Computer/business equipment
- Test instruments
- Medical/dental equipment
- Communications equipment
- HVAC equipment
- Manually operated devices
- Valves
- Gaming equipment
- Pressure switches

#### Description

MICRO SWITCH™ V5 and V7 Series basic switches are used for simple or precision on/off, end of limit, presence/absence, pressure, temperature and manual operator interface application needs.

| Product Specifications      |  |
|-----------------------------|--|
| Switch Type                 | MICRO SWITCH™ Miniature 15,9 mm H x 10,2 mm W x 28,8 mm L [0.63 in H x 0.4 in W x 1.14 in L] |
| Sealed                      | No   |
| Ampere Rating               | 11 A   |
| Circuitry                   | Single Pole Double Throw (SPDT)  |
| Actuator                    | Roller Lever   |
| Termination                 | Quick Connect  |
| Operating Temperature Range | -40 °C to 82 °C [-40 °F to 180 °F]   |
| Voltage                     | 277 Vac  |
| Approvals                   | CSA,UL,ENEC  |
| Actuator Length             | 34,0 mm [1.34 in]  |
| Contact Type                | Silver   |

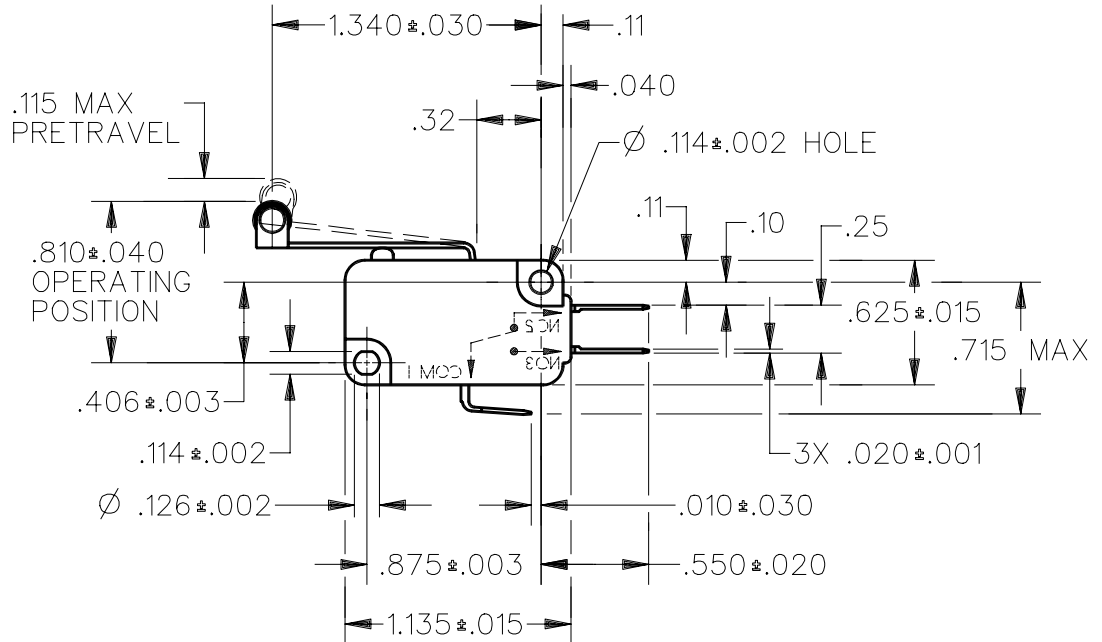
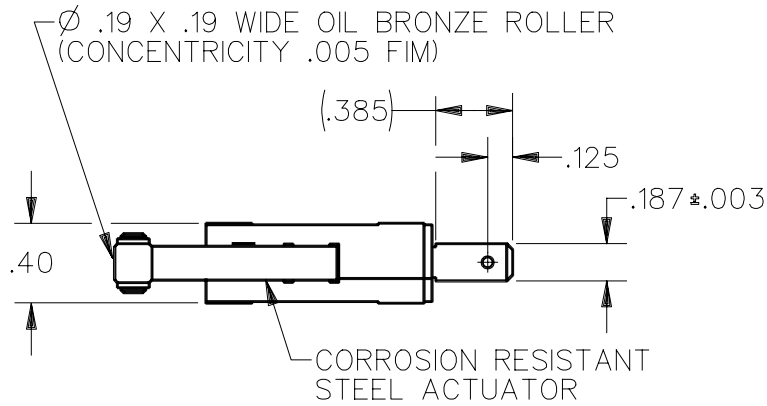
|                                |                                   |
|--------------------------------|-----------------------------------|
| Operating Force (O.F.)         | 0,44 N [21.6 oz] max.             |
| Release Force (R.F.)           | 0,03 N [0.10 oz] min.             |
| Pretravel (P.T.)               | 2.92 mm [0.115 in] min.           |
| Overtravel (O.T.)              | 1,7 mm [0.065 in] min.            |
| Differential Travel (D.T.)     | 0,64 mm [0.025] max.              |
| Operating Position (O.P.)      | 20,6 ± 1,02 mm [0.810 ± 0.040 in] |
| Housing Material               | PCT PolyesterThermoplastic        |
| High Temperature               | 85 °C [185 °F]                    |
| CE mark                        | 61058-1                           |
| UL File #                      | E12252                            |
| CSA File #                     | LR41370                           |
| Agency Approvals and Standards | 1054                              |
| Mounting Centers               | 22,2 mm [0.88 in]                 |
| Maximum Tightening Torque      | 0,56 N m [5.0 in lb]              |
| Weight                         | 8 g [0.3 oz]                      |
| Package Height                 | 16 mm [0.63 in]                   |
| Package Width                  | 10,2 mm [0.40 in]                 |
| Package Length                 | 27,7 mm [1.09 in]                 |
| Availability                   | Global                            |
| UNSPSC Code                    | 30211905                          |
| UNSPSC Commodity               | 30211905 Snap switches            |
| Series Name                    | V7                                |

CATALOG LISTING  
**V7-2B17D8-207**  
 RELEASE NO. PR-19218  
 REPLACES  
**M**  
 ISSUE  
**2**

REVISIONS

|   |                  |
|---|------------------|
| A | CO<br>76214      |
|   | GRT<br>20 OCT 93 |

CHECK  
 CHECK  
 12 JUN 91  
 JAL  
 CHECK  
 11 JUN 91  
 WJC



THIS DRAWING COVERS A PROPRIETARY ITEM AND IS THE PROPERTY OF MICRO SWITCH, A DIVISION OF HONEYWELL. THIS DRAWING IS NOT TO BE COPIED OR USED WITHOUT THE APPROVAL OF MICRO SWITCH.

THIRD ANGLE PROJECTION

| CHARACTERISTICS                    | ELECTRICAL DATA  |
|------------------------------------|--|
| OPERATING FORCE — — — 45 GRAMS MAX | CONTACT ARRANGEMENT<br>S P D T   |
| RELEASE FORCE — — — 3 GRAMS MIN    | L156 11A 1/3HP 125, 250 OR 277 VAC<br>1/2A 125 VDC, 1/4A 250 VDC<br>4A 125 VAC "L" |
| DIFFERENTIAL TRAVEL — — — .025 MAX |  |
| OVERTRAVEL — — — .065 MIN          |  |
| RELEASE TRAVEL — — — .016 MIN      |  |

| SCALE  | FULL   | DO NOT SCALE PRINT |
|--|--------|--------------------|
| <b>UNLESS OTHERWISE SPECIFIED TOLERANCES ARE</b> |        |                    |
| ONE PLACE  | (.0)   | ± .030             |
| TWO PLACE  | (.00)  | ± .015             |
| THREE PLACE                                      | (.000) | ± .005             |
| ANGLES   |        | ±                  |
| WEIGHT   |        |                    |

DDM/CAD  
 DRAWN  
 WJC  
 11 JUN 91

