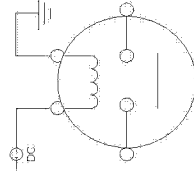
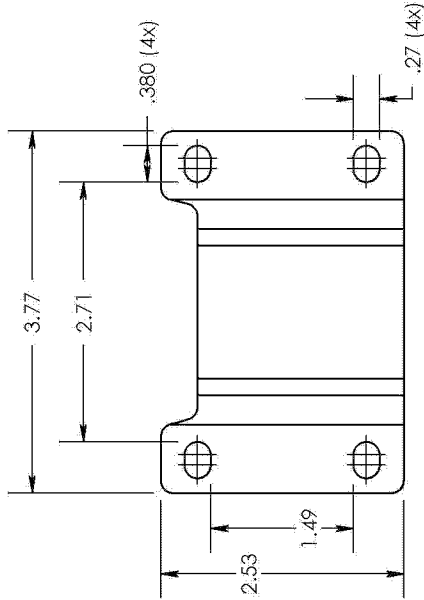
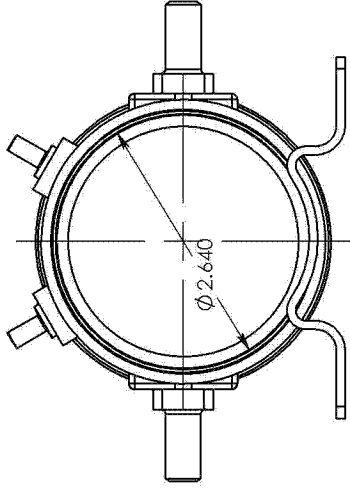
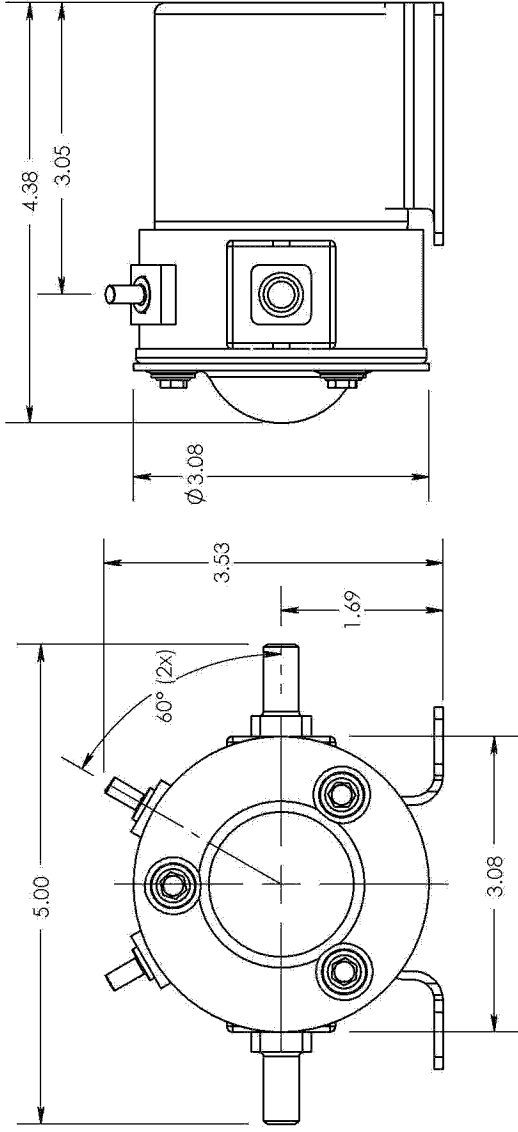


| | | | |
|-----|--------------------------|-----|-----------|
| REV | WAS | BY | DATE |
| | Specs updated to current | CHF | 3/28/2002 |



CAD GENERATED DRAWING.
DO NOT UPDATE MANUALLY

ENGLISH

UNLESS OTHERWISE SPECIFIED
DIMENSIONS ARE IN INCHES
TOLERANCES ARE:

FRACTIONS ± 1/64
DECIMALS ± 0.01
XXX ± 0.005
X.XXX ± 1°

APPROVALS DATE
DRAWN CHF 11/11/97
CHECKED

3-D Solid Model

1119865 Series Relays

SIZE DWG. NO. REV.
A A

SCALE 1:2 SHEET 1 OF 1

DO NOT SCALE DRAWING

Inspection Item