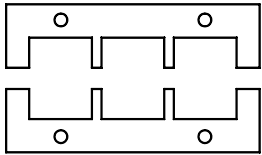
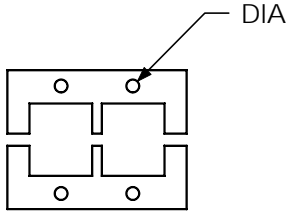
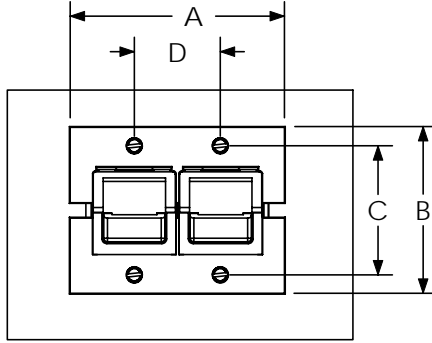


THE INFORMATION CONTAINED IN THIS DRAWING IS THE SOLE PROPERTY OF ANDERSON POWER PRODUCTS. ANY REPRODUCTION IN PART OR WHOLE WITHOUT THE WRITTEN PERMISSION OF ANDERSON POWER PRODUCTS IS PROHIBITED.

DATE	7/17/01
BY:	CMS
DESCRIPTION OF CHANGES	
REV.	
1	ECRN 13410- ADD PANEL CUTOUT DIMS.
2	ECRN 14180- REMOVE 1X4 IMAGE



3 OR 6 POLE



PANEL CUTOUT DIMENSIONS

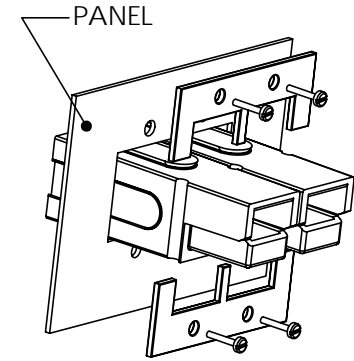
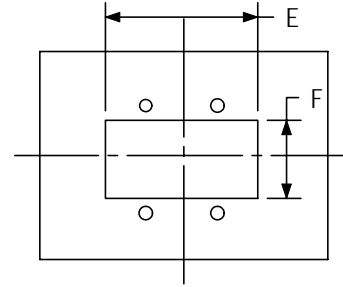


TABLE OF MOUNTING CLAMPS FOR PP75-PP180

CAT. NO.	PP Series	# of Poles	A		B		C		D		DIA		E		F	
			IN	MM	IN	MM	IN	MM	IN	MM	IN	MM	IN	MM	IN	MM
1463G1	PP75	2	1.62	41.1	1.36	34.5	1.06	26.9	1.25	31.7	.16	4.0	1.38	35.1	.75	19.0
		4	1.62	41.1	1.98	50.3	1.68	42.7	1.25	31.7	.16	4.0	1.38	35.1	1.38	35.1
1463G2	PP75	3	2.25	57.2	1.36	34.5	1.06	26.9	1.88	47.8	.16	4.0	2.00	50.8	.75	19.0
		6	2.25	57.2	1.98	50.3	1.68	42.7	1.88	47.8	.16	4.0	2.00	50.8	1.38	35.1
1464G1	PP120	2	2.38	60.5	1.88	47.8	1.50	38.1	1.75	44.4	.16	4.0	1.88	47.8	1.00	25.4
		4	2.38	60.5	2.76	70.1	2.38	60.5	1.75	44.4	.16	4.0	1.88	47.8	1.88	47.8
1464G2*	PP120	3	3.25	82.6	1.88	47.8	1.50	38.1	2.62	66.5	.16	4.0	2.75	70.0	1.00	25.4
1465G1*	PP180	2	2.81	71.4	2.18	55.4	1.68	42.7	1.12	28.4	.19	4.8	2.38	60.5	1.25	31.8
1465G2*	PP180	3	3.97	100.8	2.18	55.4	1.68	42.7	2.25	57.2	.19	4.8	3.50	88.9	1.25	31.8

* SEE NOTE 2

NOTES:

1. MOUNTING CLAMPS SOLD IN PAIRS, SCREWS NOT INCLUDED
2. PP120 3- POLE AND PP180 2 AND 3 POLE MOUNTING CLAMPS ARE FOR SINGLE ROWS ONLY.

ITEM NO.	PART OR IDENTIFYING NO.	NOMENCLATURE OR DESCRIPTION	MATERIAL SPECIFICATION	QTY REQD
COPYRIGHT 1999 ANDERSON POWER PRODUCTS. ALL RIGHTS RESERVED. UNAUTHORIZED REPRODUCTION HEREBY PROHIBITED.				
DIMENSIONS ARE IN INCHES DIMENSIONS IN PARENTHESES [] ARE IN MILLIMETERS		CAD GENERATED DRAWING, DO NOT MANUALLY UPDATE		ANDERSON POWER PRODUCTS MOUNTING CLAMPS FOR PP75- PP180
TOLERANCES ARE: 2PL- ±.02 [±.5]		APPROVALS	DATE	
MATERIALS: AL- .09" THK		DRAWN	CMS 11/1/99	
FINISH NONE		CHECKED	DJD 11/3/99	
DO NOT SCALE DRAWING		RESP ENG	UFN 11/4/99	
		MFG ENG	CHB 11/4/99	SIZE A
		QUAL ENG	RPO 11/4/99	SPECIFICATION: 114207S1
		SCALE NONE		REV. 2
		CADFILES/01137		SHEET 1 OF 1