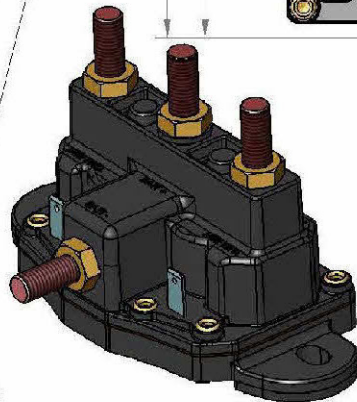
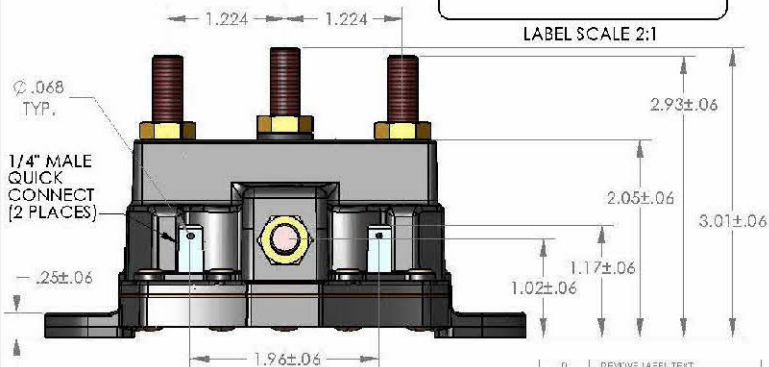


(D)  

LABEL SCALE 2:1



MATERIAL

FINISH

UNLESS OTHERWISE SPECIFIED  
 DIMS +/- .005 ANG +/- .01 SURF +/- .010  
 UNLESS OTHERWISE SPECIFIED  
 DIMS +/- .005 ANG +/- .01 SURF +/- .010  
 UNLESS OTHERWISE SPECIFIED  
 DIMS +/- .005 ANG +/- .01 SURF +/- .010

DIMENSIONAL ASSEMBLY

D	REMOVE LABEL TEXT	JWG	RES	012005	D6-
C	REC-SAWN TO SOLIDWORKS	SMS	4/36	10/15/04	TM
WHY	DP-13101 CN	HY	-LS	181F	AL1

CONTROL PLAN REQUIRED

DRAWN SMS SCALE 1:1  
 APPR. TM DATE 10/19/04

DWG. NO.  
 D03508